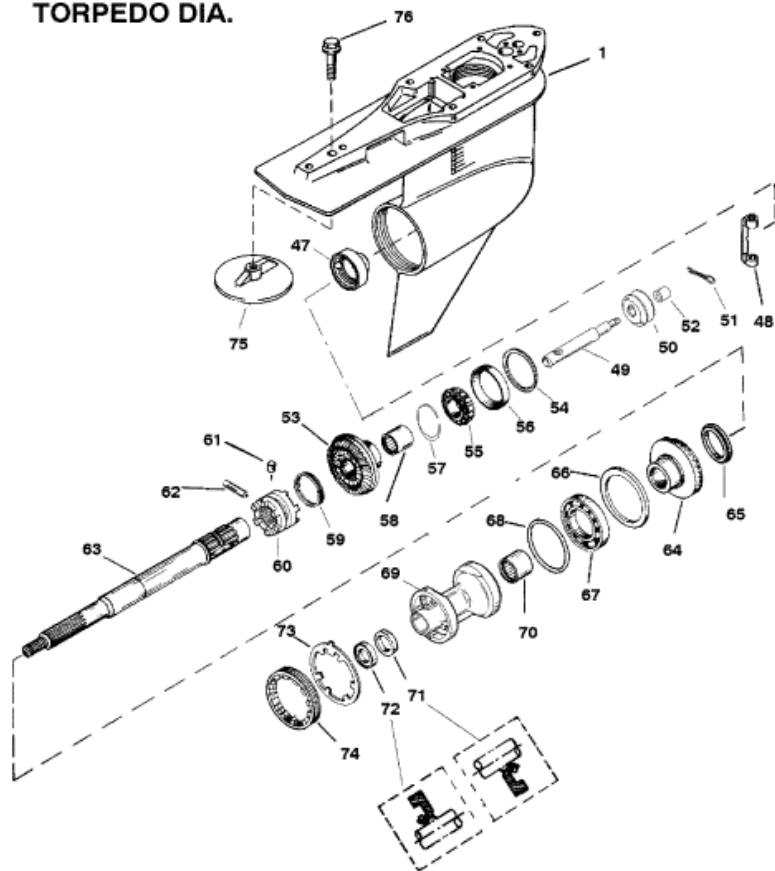


**4.75 IN/120.65MM
 TORPEDO DIA.**



| Parts List | | | | | |
|------------|-------|--------------------------|------------------------|-----|------------------|
| Ref | Class | Part | Description | Qty | Footnote |
| 1 | 1623 | 859399T18 | GEAR HOUSING (BASIC) | 1 | |
| 47 | 22 | 859403 | PLUG | 1 | |
| 48 | | 823903 | SHIFT CRANK | 1 | |
| 49 | | 19755T 7 | SHAFT | 1 | |
| 50 | | NSS | SHIFT SPOOL | 1 | |
| 51 | 18 | 46950 1 | COTTER PIN | 1 | |
| 52 | | NSS | SLEEVE | 1 | |
| 53 | 43 | 859321A 3 | FORWARD GEAR | 1 | (1.75:1 - 12/21) |
| 54 | 15 | 44491A 1 | SHIM SET | AR | |
| 55 | 31 | 30894A 1 | TAPERED ROLLER BEARING | 1 | |
| 56 | | NSS | CUP | 1 | |
| 57 | 53 | 856823 | RETAINING RING | 1 | |
| 58 | 31 | 30895T | ROLLER BEARING | 1 | |
| 59 | 24 | 30893 | SPRING | 1 | |
| 60 | 52 | 859340T | SLIDING CLUTCH | 1 | |
| 61 | 17 | 828356 | DETENT PIN | 1 | |
| 62 | 17 | 30632 | CROSS PIN | 1 | |
| 63 | 44 | 824110 | PROPELLER SHAFT | 1 | |
| 64 | 43 | 859322A 1 | REVERSE GEAR | 1 | (1.75:1 - 12/21) |
| 65 | 23 | 824108 | THRUST SPACER | 1 | |
| 66 | | 68100 1 | THRUST RING | 1 | |
| 67 | 30 | 88957T | BALL BEARING | 1 | |
| 68 | 25 | 31534 | O RING | 1 | 15 |
| 69 | | 818763T11 | BEARING CARRIER | 1 | |
| 70 | 31 | 30956T | ROLLER BEARING | 1 | |
| 71 | 26 | 14077 | OIL SEAL (INSIDE) | 1 | 15 |
| 72 | 26 | 76868 | OIL SEAL (OUTSIDE) | 1 | 15 |
| 73 | 14 | 18323 | TAB WASHER | 1 | |
| 74 | | 79448 | COVER | 1 | |
| 75 | | 76214Q 5 | ANODIC PLATE | 1 | |
| 76 | 10 | 806327 | SCREW | 1 | |
| - | 26 | 816575A 4 | G/H SEAL KIT | 1 | |